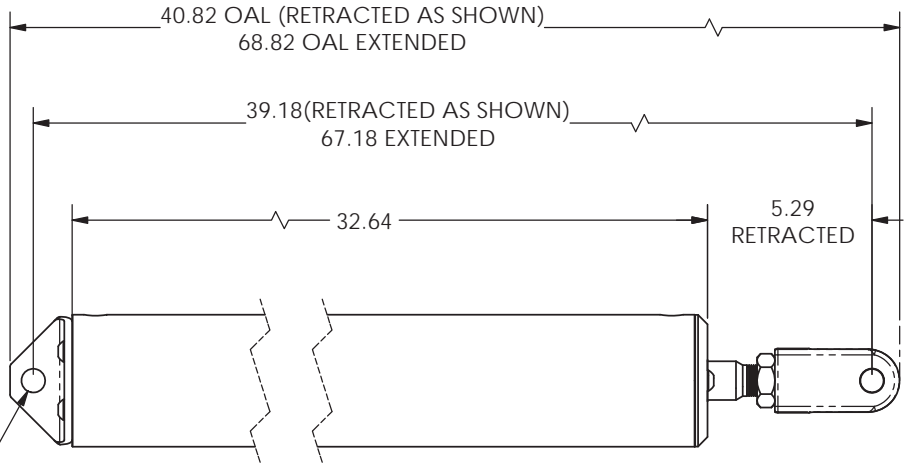
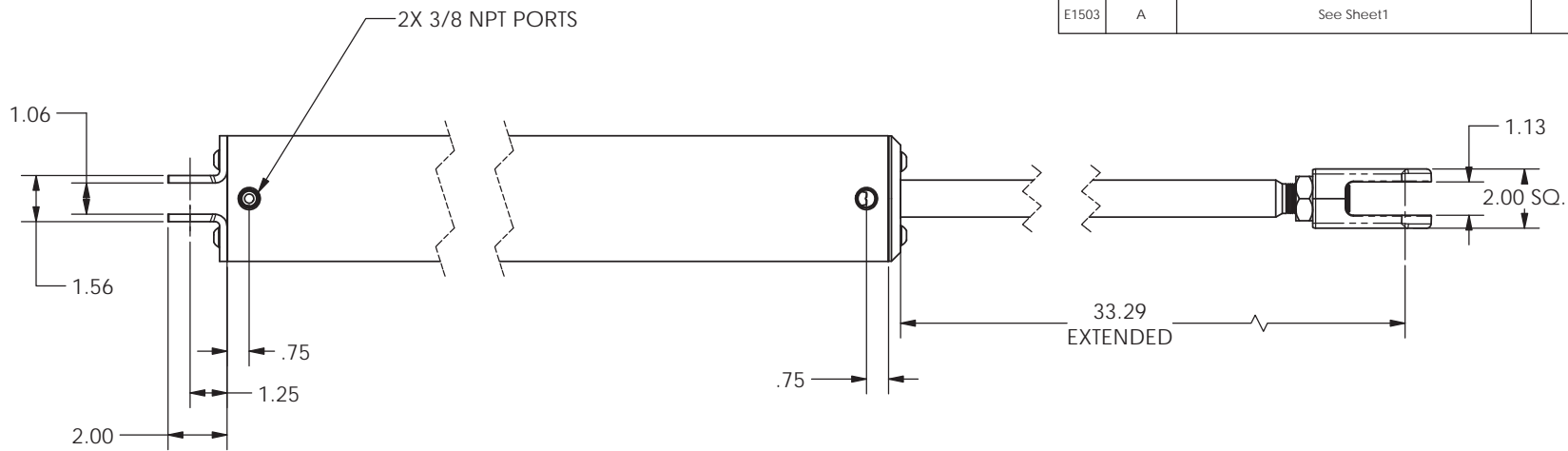
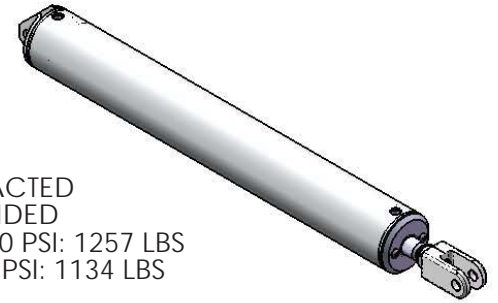


REVISIONS				
ECR	REV	DESCRIPTION	DATE	APPROVED
E1503	A	See Sheet1	10/11/2012	JUMPER

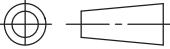



FOR  $\varnothing$  3/4 CLEVIS PINS

NOTES:  
 BORE:  $\varnothing$  4.0"  
 STROKE: 28"  
 PIN TO PIN: 39.18 RETRACTED  
 PIN TO PIN: 67.18 EXTENDED  
 EXTENDED FORCE @ 100 PSI: 1257 LBS  
 RETRACT FORCE @ 100 PSI: 1134 LBS



**PORTS ON TOP**

TYPE OF PROJECTION  THIRD ANGLE PROJECTION	DO NOT SCALE DRAWING UNLESS OTHERWISE SPECIFIED DIMENSIONS ARE IN INCHES TOLERANCES ARE: DECIMALS X = $\pm$ .03 .XX = $\pm$ .010 .XXX = $\pm$ .005 FRACTION = $\pm$ .015 ANGLES = $\pm$ 1/2" 63 SURFACE TEXTURE OR BETTER MATERIAL N/A FINISH N/A	 8178 EAST 44TH STREET TULSA, OK 74145	
		TITLE: CYLINDER 4" x 28" FLOW CONTROL	
<b>PROPRIETARY AND CONFIDENTIAL</b> THE INFORMATION CONTAINED IN THIS DRAWING IS THE SOLE PROPERTY OF APSCO Inc.. ANY REPRODUCTION IN PART OR AS A WHOLE WITHOUT WRITTEN PERMISSION OF APSCO Inc. IS PROHIBITED.	DWG. NO. C-0428-FC		REV A
	SIZE B	DRAWN JUMPER	DATE 10/11/2012
F/N: C-0400 SERIES			SHEET 2 OF 2