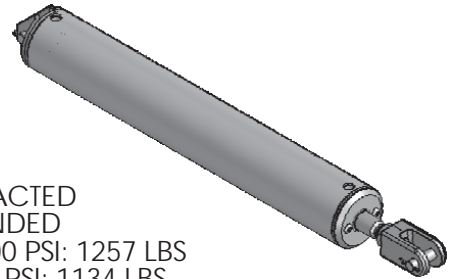
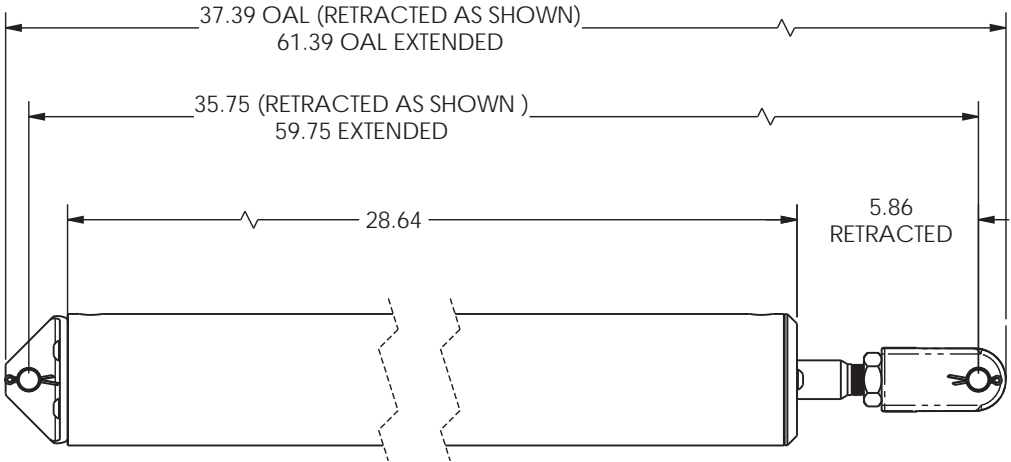
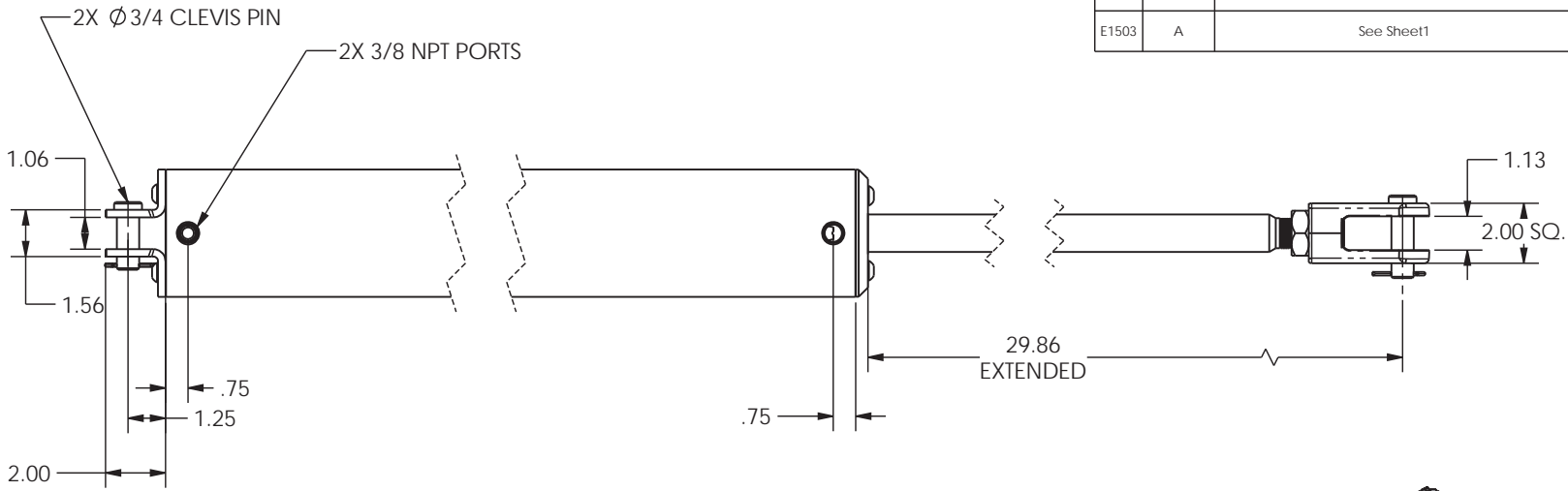


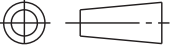


8 7 6 5 4 3 2 1

REVISIONS				
ECR	REV	DESCRIPTION	DATE	APPROVED
E1503	A	See Sheet1	10/11/2012	JUMPER



NOTES:  
 BORE: Ø 4.0"  
 STROKE: 24"  
 PIN TO PIN: 35.75 RETRACTED  
 PIN TO PIN: 59.75 EXTENDED  
 EXTENDED FORCE @ 100 PSI: 1257 LBS  
 RETRACT FORCE @ 100 PSI: 1134 LBS

**PORTS ON TOP**

TYPE OF PROJECTION  THIRD ANGLE PROJECTION	DO NOT SCALE DRAWING UNLESS OTHERWISE SPECIFIED DIMENSIONS ARE IN INCHES TOLERANCES ARE: DECIMALS .X = ±.03 .XX = ±.010 .XXX = ±.005 FRACTION = ±.015 ANGLES = ±1/2° SURFACE TEXTURE OR BETTER 	 8178 EAST 44TH STREET TULSA, OK 74145	
		TITLE: CYLINDER 4" x 24" W/ PIN KIT	
<b>PROPRIETARY AND CONFIDENTIAL</b> THE INFORMATION CONTAINED IN THIS DRAWING IS THE SOLE PROPERTY OF APSCO Inc.. ANY REPRODUCTION IN PART OR AS A WHOLE WITHOUT WRITTEN PERMISSION OF APSCO Inc. IS PROHIBITED.	MATERIAL: N/A FINISH: N/A	DWG. NO. C-0424-PK	REV A
		SIZE B	DRAWN JUMPER
F/N: C-0400 SERIES			SHEET 2 OF 2

8 7 6 5 4 3 2 1