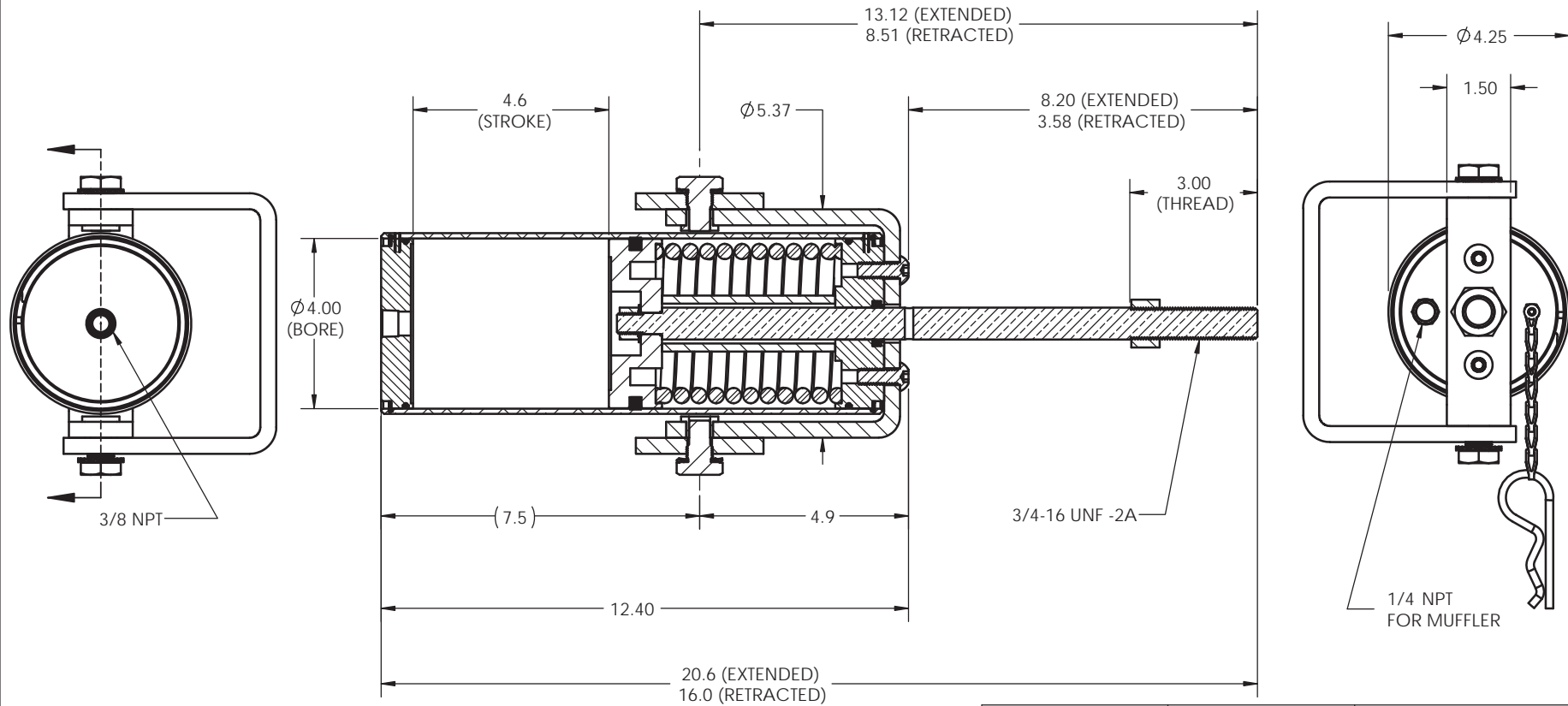
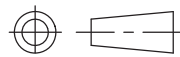


REVISIONS				
ECR	REV	DESCRIPTION	DATE	APPROVED
E1991	-	SEE SHT 1	01/22/2013	JUMPER



NOTES:

1. EXTENDED POSITION SHOWN
2. COMBINED SPRING PRELOAD = 296 LBS
3. MIN. EXTENSION FORCE @ 100 PSI @ FULL STROKE = 661 LBS

TYPE OF PROJECTION

 THIRD ANGLE PROJECTION

PROPRIETARY AND CONFIDENTIAL
 THE INFORMATION CONTAINED IN THIS DRAWING IS THE SOLE PROPERTY OF APSCO Inc.. ANY REPRODUCTION IN PART OR AS A WHOLE WITHOUT WRITTEN PERMISSION OF APSCO Inc. IS PROHIBITED.

DO NOT SCALE DRAWING
 UNLESS OTHERWISE SPECIFIED DIMENSIONS ARE IN INCHES
 TOLERANCES ARE:
 DECIMALS
 X = ± 0.03
 .XX = ± 0.10
 .XXX = ± 0.005
 FRACTION = ± 0.015
 ANGLES = $\pm 1/2^\circ$
 SURFACE TEXTURE OR BETTER
 MATERIAL N/A
 FINISH N/A



TITLE: CYLINDER 4" x 4.6 SR TRUNION			
DWG. NO. C-0411-SR		REV -	
SIZE B	DRAWN JUMPER	DATE 01/22/2013	CLASS CYL
F/N: C-0410-SR			SHEET 2 OF 2