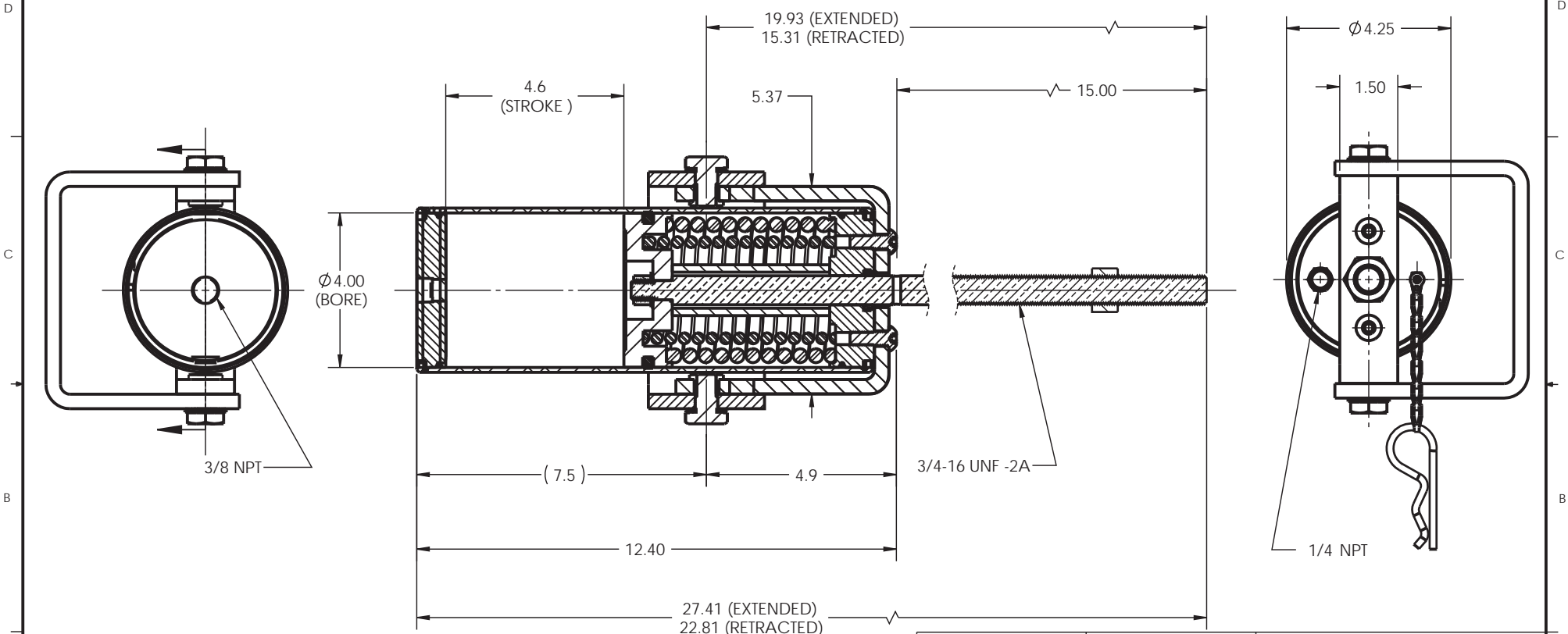


8 7 6 5 4 3 2 1

REVISIONS				
ECR	REV	DESCRIPTION	DATE	APPROVED
E1520	A	BOM, WAS = 5270, IS = 5324	04/29/2011	JUMPER



NOTES:

1. EXTENDED POSITION SHOWN
2. COMBINED SPRING PRELOAD = 460 LBS
3. MIN. EXTENSION FORCE @ 100 PSI @ FULL STROKE = 285 LBS

<p>TYPE OF PROJECTION</p> <p>THIRD ANGLE PROJECTION</p> <p>PROPRIETARY AND CONFIDENTIAL</p> <p>THE INFORMATION CONTAINED IN THIS DRAWING IS THE SOLE PROPERTY OF APSCO Inc. ANY REPRODUCTION IN PART OR AS A WHOLE WITHOUT WRITTEN PERMISSION OF APSCO Inc. IS PROHIBITED.</p>	<p>DO NOT SCALE DRAWING UNLESS OTHERWISE SPECIFIED DIMENSIONS ARE IN INCHES</p> <p>TOLERANCES ARE: DECIMALS .X = ±.03 .XX = ±.010 .XXX = ±.005 FRACTION = ±.015 ANGLES = ±1/2°</p> <p>SURFACE TEXTURE OR BETTER MATERIAL N/A</p> <p>FINISH N/A</p>	<p>APSCO Inc. 8178 EAST 44TH STREET TULSA, OK 74145</p>	
		<p>TITLE: SPRING RETURN CYL ASSEMBLY</p>	
<p>DWG. NO. C-0410-SR</p>		<p>REV A</p>	
<p>SIZE B</p>	<p>DRAWN LC</p>	<p>DATE 08/19/2011</p>	<p>CLASS CYL</p>
<p>F/N: C-0410-SR</p>			<p>SHEET 2 OF 2</p>

8 7 6 5 4 3 2 1